

Upflow Dechlorinators 1030, 1060, 1100 and 1175

Non-Electric, High
Performance Water
Conditioning Systems



 **Kinetico**[®]
home water systems

Effective Whole-House Dechlorination with Upflow Filtration

High-Capacity Activated Carbon Bed

Can be Installed Alone or with Other Kinetico Water
Treatment Systems

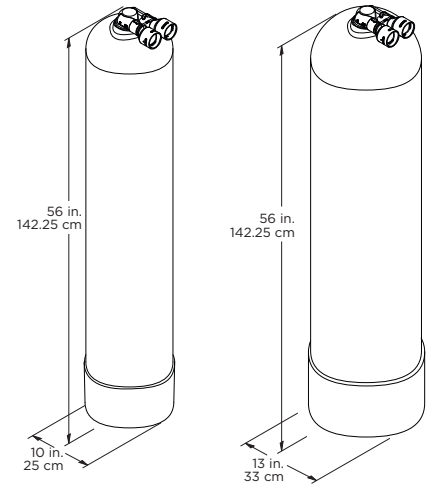
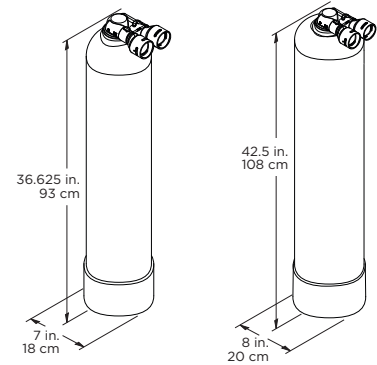
Simple, Reliable and Economical Operation

Installation and Service by Trained Water Treatment Professionals

What Makes A Kinetico Dechlorinator/Softener Combination System Different?

Combine a Kinetico Dechlorinator with a Kinetico Water Softener for the ultimate in whole-home water treatment.

- 1. Customize Your System.** Choose from a variety of dechlorination and softening components to create a whole-home system that's right for your water conditions.
- 2. Flexible System.** Dechlorinator can be installed alone for dechlorination only, or with a Kinetico Water Softening System. Offers a continuous supply of dechlorinated, soft water. Enables system to regenerate with dechlorinated, soft water.
- 3. Non-Electric Operation.** Reliable. No timers or computers to set, adjust, repair or replace.
- 4. Efficient Chlorine Reduction.** For use on any water supply where dechlorination is desired. Activated carbon adsorbs objectionable tastes and odors from chlorinated water. Reduces drying of hair and skin from chlorine. Reduces deterioration of rubber seals in fixtures and appliances.
- 5. Continuous Conditioned Water.** Assures consistent and continuous chlorine-free water. Protects skin and hair, clothing, plumbing and appliances.
- 6. Efficient Use of Water.** No water consumption to dechlorinate.
- 7. Corrosion-Resistant Valve and Tanks.** Long Lasting. Can endure harsh environments.
- 8. Automatic Operation.** Just replace the activated carbon when capacity is reached, typically three to five years for a water supply with average chlorination.
- 9. Outstanding Warranty.** Dependability, peace of mind.



Kinetico Model 1060 Dechlorinator Combination
(additional configurations available)



SPECIAL "T"
WATER SYSTEMS, INC.

11934 Washington Blvd., Whittier CA 90606
(562) 945-7595